

# SUPER-COR® XL Plus Ultrafiltration Modules

## Ultrafiltration Multitube Modules for Juice Processing

### PRODUCT DESCRIPTION

<b>Membrane Material:</b>	PVDF
<b>Membrane Type:</b>	Ultrafiltration
<b>Molecular Weight Cutoff*:</b>	HFM-180: 100,000 Daltons HFM-513: 500,000 Daltons
<b>Configuration:</b>	Thirty seven (37) ½" diameter tubules in polysulfone shell
<b>Applications:</b>	Juice processing
<b>Regulatory Information:</b>	Compliant with food contact regulations per US FDA CFR Title 21, EC Reg. No. 1935/2004 and EU Reg. No. 10/2011. Halal certified by the Islamic Food and Nutrition Council of America (IFANCA).
<b>Options:</b>	HFM-180 membrane for light juices HFM-513 for all juices

\* The nominal separation range and retention characteristics of the membranes are highly dependent upon the nature of the liquid being processed and on several other operating parameters. This information should, therefore, be used as a guide only

### SPECIFICATIONS

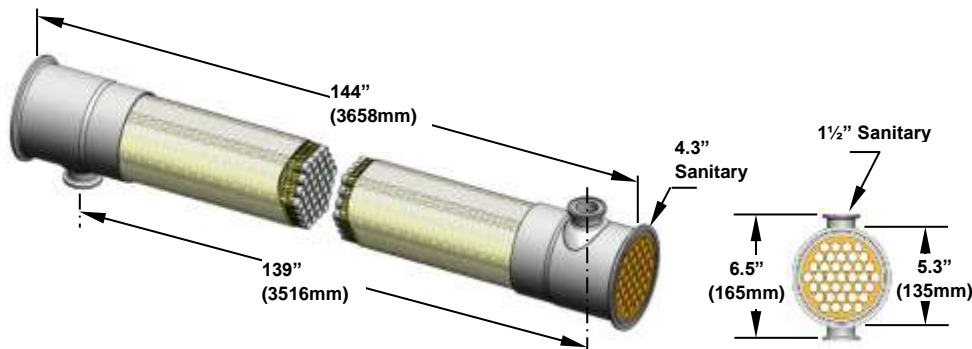
Part Number	Model	Active Membrane Area ft <sup>2</sup> (m <sup>2</sup> )
0712310	SUPER-COR® XL PLUS 4312-HFM-180	54.7 (5.1)
0712370	SUPER-COR® XL PLUS 4312-HFM-513	54.7 (5.1)

### OPERATING AND DESIGN INFORMATION\*

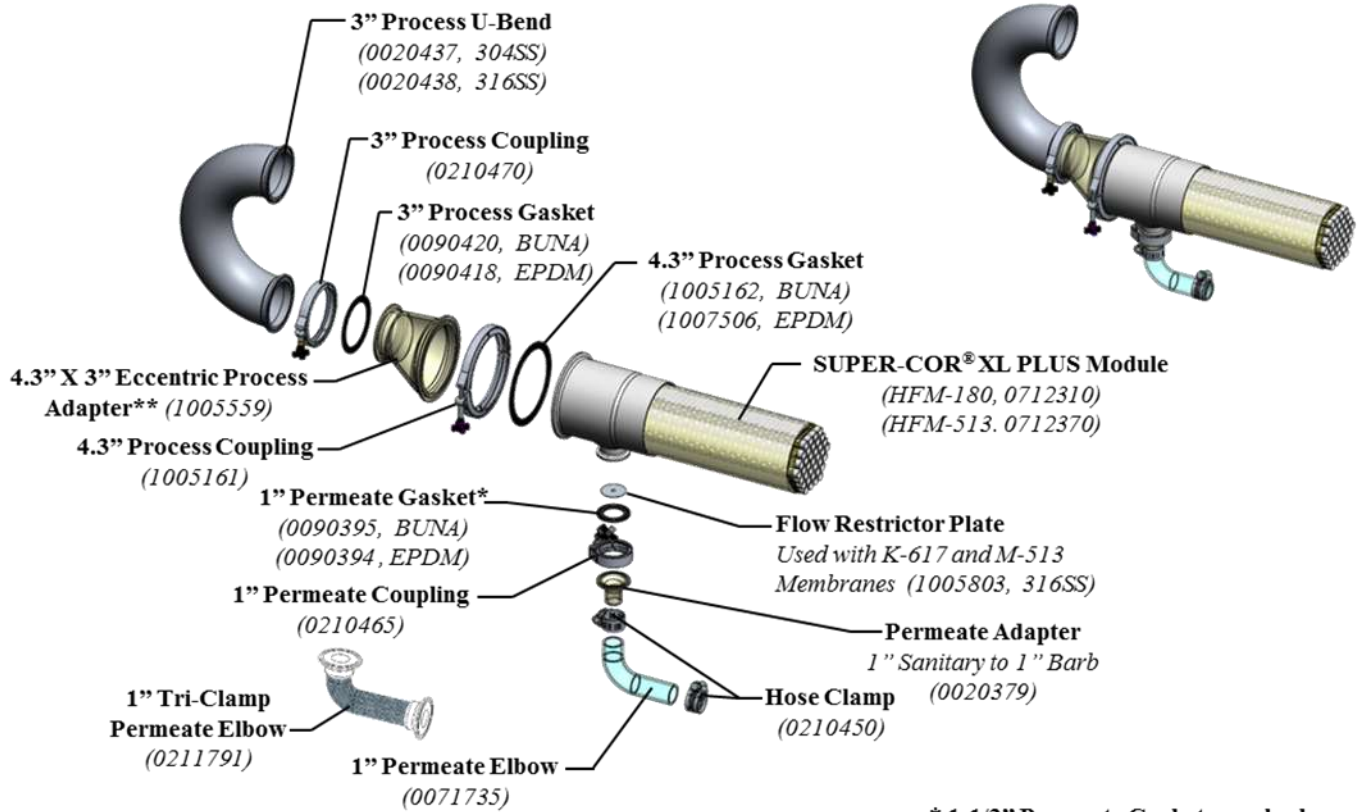
<b>Maximum Operating Pressure:</b>	90 psi @ 120°F (6.2 bar @ 49°C)
<b>Minimum Outlet Pressure:</b>	10 psi (0.7 bar)
<b>Maximum Permeate Pressure</b>	3 psi (0.2 bar)
<b>Typical Feed Side Pressure Drop Per Module:</b>	4-6 psi (0.27-0.40 bar)
<b>Maximum Feed Side Pressure Drop Per Module:</b>	6 psi @ 120°F (0.4 bar @ 49°C)
<b>Maximum Operating Temperature at pH 8:</b>	Continuous 120°F (49°C) Short term 130°F (54°C)
<b>Allowable pH Range at 120°F (49°C):</b>	Continuous 2.0 – 10.0 Short term 1.5 – 10.5
<b>Maximum Chlorine (cleaning):</b>	200 ppm @ pH 10-10.5, 120°F (49°C)

\*Consult KSS Process Technology Group for specific applications.

### NOMINAL DIMENSIONS



SUPER-COR® XL TUBULAR MODULE ASSEMBLY



\* 1-1/2" Permeate Gasket can also be used  
(0090400, BUNA)  
(0090398, EPDM)

\*\* 4.3" X 3" Conical Process Adapter is also available (KPN 1005160)

**Service and Ongoing Technical Support:**

KSS has an experienced staff of professionals available to assist end-users and OEMs for optimization of existing systems and support with the development of new applications.

**KSS Capability**

KSS is the leader in crossflow membrane technology, manufacturing reverse osmosis, nanofiltration, microfiltration, and ultrafiltration membranes and membrane systems. The industries we serve include food, dairy, beverage, automotive, water and wastewater, chemical, and general manufacturing. KSS adds value by providing top quality membrane products and by sharing our experience in the design and supply of thousands of crossflow membrane systems worldwide.

*The information contained in this publication is believed to be accurate and reliable, but is not to be construed as implying any warranty or guarantee of performance. We assume no responsibility, obligation or liability for results obtained or damages incurred through the application of the information contained herein. Refer to Standard Terms and Conditions of Sale and Performance Warranty documentation for additional information*

**KOVALUS SEPARATION SOLUTIONS™, LLC.** 850 Main Street, Wilmington, MA 01887

Main: +1-978-694-7000 • Toll Free: +1-888-677-5624

For complete contact information and listing of our global locations, visit [www.kovalus.com](http://www.kovalus.com)

©2023 KOVALUS SEPARATION SOLUTIONS™, LLC. All rights reserved worldwide. For related patent and trademark information, visit [www.kovalus.com/legal](http://www.kovalus.com/legal).